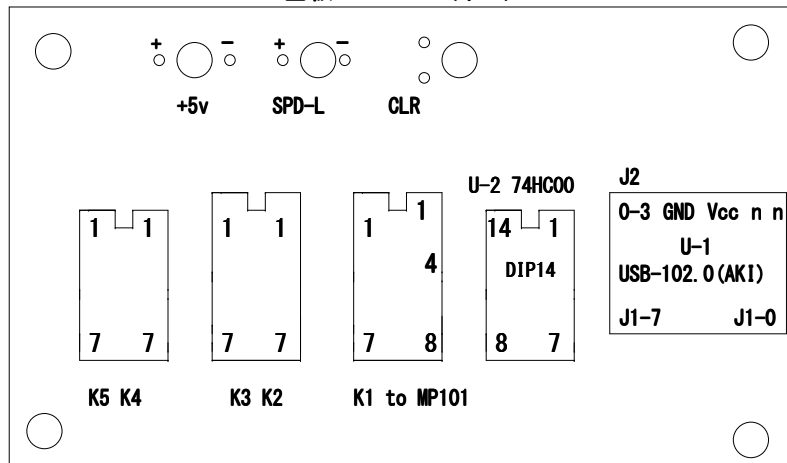


基板 BOTOOM (半田)



MicroSim Corporation

haiti.sch

160129