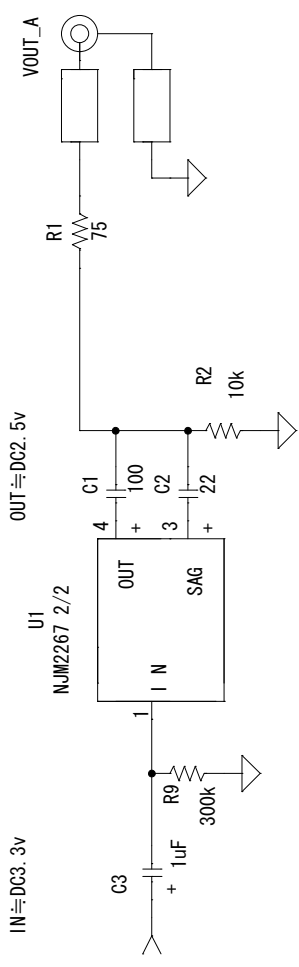


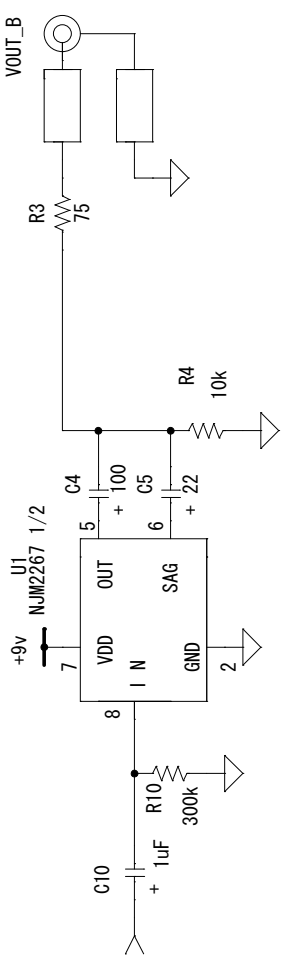
IN = DC3.3v

OUT = DC2.5v

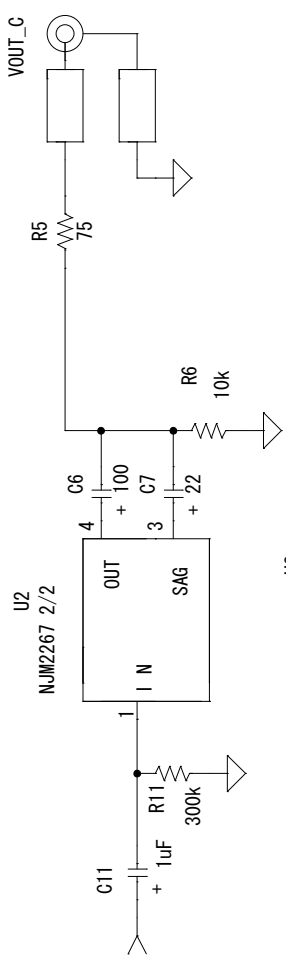
CP1.sch  
A-CPOUT  
A-OUTBA-IN



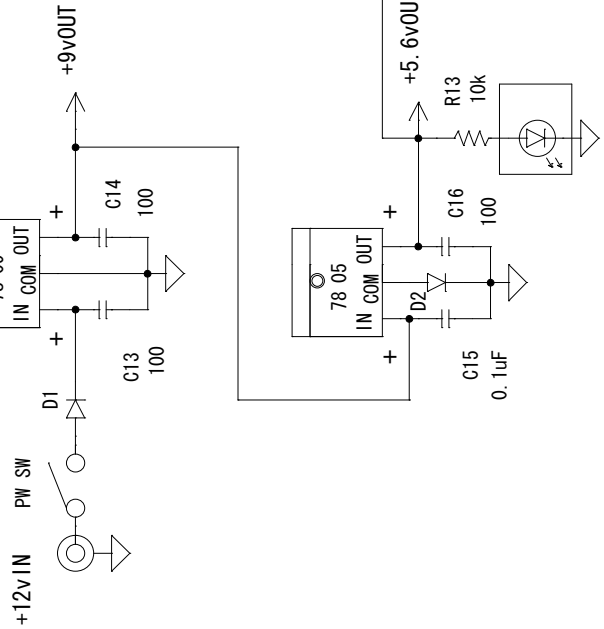
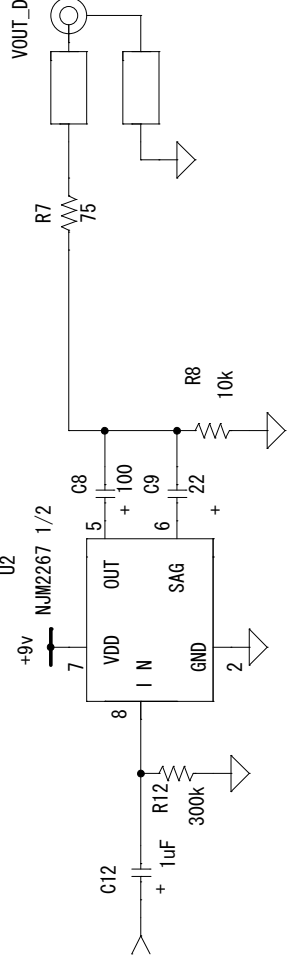
CP1.sch  
B-CPOUT  
B-OUTBA-IN



CP1.sch  
C-CPOUT  
C-OUTBA-IN



CP1.sch  
D-CPOUT  
D-OUTBA-IN



MicroSim Corporation  
**USB-MTXXVIDEOSW-4X4**  
 060610  
 060704 外部出力バス8×7追加  
 070111 060704 外部出力バス8×11追加  
 071105 +5vを +5.6vに変更 081119-CR10-CR12変更

OUTBASch